

## PFDC120QD

COMPACT DC CHASSIS MOUNT FILTER 3A TO 20A

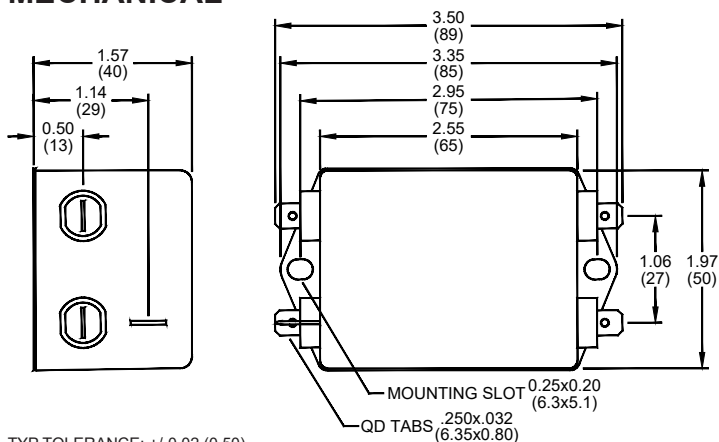
Max. Operating Voltage: 300VDC  
 Ambient Temp: -40 to 50C  
 Climatic Category: 40/110/21  
 Hipot Rating (L-G): 2700VDC  
 Typ Weight. LBS (KG): 0.3 (0.13)  
 Designed to Meet UL1283/CSA22.2/EN60939 Standards  
 QD Terminals IN (MM): 0.25 (6.35)



| PART NUMBER / ORDERING |          |
|------------------------|----------|
| MODEL                  | AMPERAGE |
| PFDC120QD-3            | 3        |
| PFDC120QD-6            | 6        |
| PFDC120QD-10           | 10       |
| PFDC120QD-16           | 16       |
| PFDC120QD-20           | 20       |

| TYPICAL INSERTION LOSS (50/50ohm) |      |     |     |    |    |
|-----------------------------------|------|-----|-----|----|----|
| FREQ MHZ)                         | 0.15 | 0.5 | 1.0 | 10 | 30 |
| CM, dB                            | 44   | 48  | 56  | 50 | 42 |
| DM, dB                            | 24   | 30  | 42  | 60 | 62 |

### MECHANICAL



TYP TOLERANCE: +/-0.02 (0.50)

### SCHEMATIC

